

**ITE (Italian technology Equipment)
Business Network**

www.itenetwork.it



**COMPOSITE INSULATED PANELS
FOR INDUSTRIAL- RESIDENTIAL BUILDINGS**

ITE (Italian Technology Network)

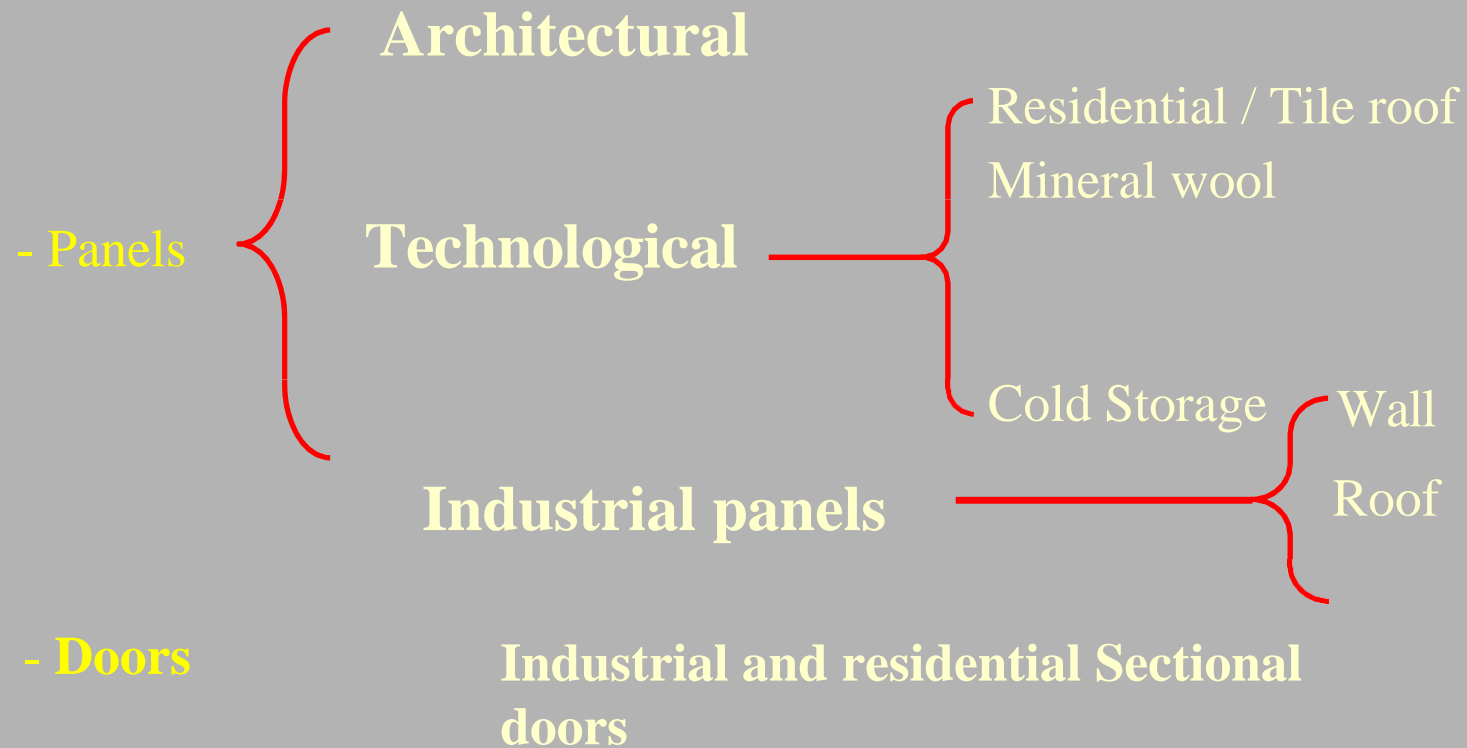


established by three Italian Companies :

- **ITE S.r.l .(Milan Italy)**
- **ISC S.r.l (Mariano Comense (CO) Italy)**
- **Mipro S.r.l. (Bovisio Masciago MB- Italy)**

All the equipment and devices are designed according the needs of the customer and manufactured in Italy.

Products and Know-how

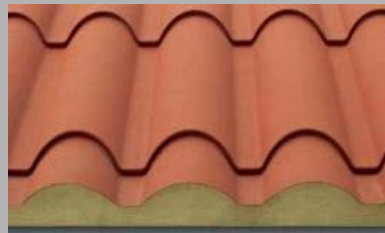




Roof and Wall panels



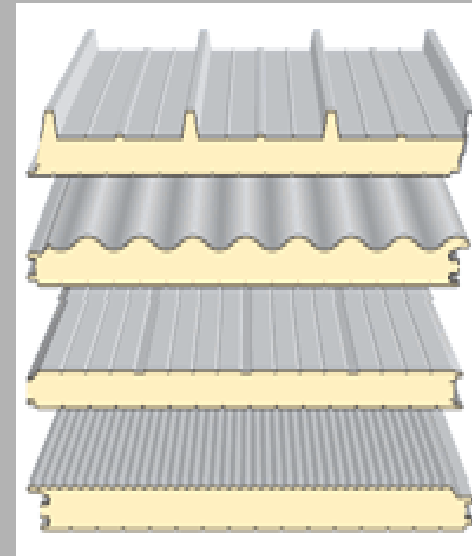
Mineral wool panel



Roof tile panel



Cold store panel



PUR/PIR panel



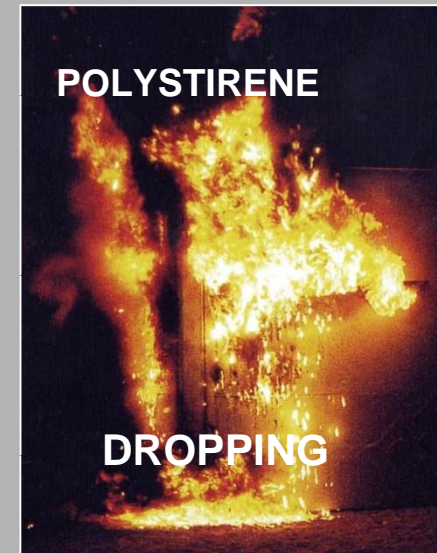
Sectional door panel



PANEL COMPONENTS

STEEL SHEETS : PREPAINTED GALVANIZED STEEL
INSULATION CORE MATERIAL : POLYURETHANE (PUR-PIR)

FIRE REACTION (EN13823 - EN 13501-1)





Mechanical tests



Stability test at high temperature



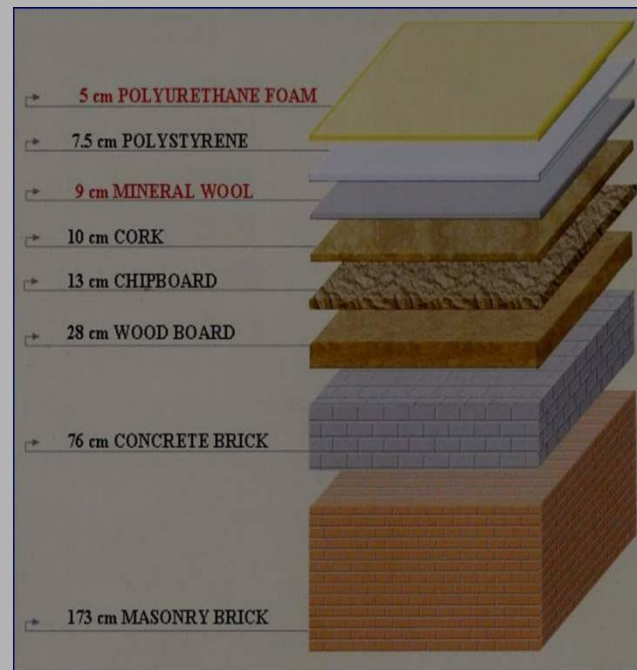
MISSION

Light Building

Save energy



Environmental impact (40% reduction in energy consumption and CO2 emissions)



Comparison with others building materials

MISSION

Light Building



Easy Installing Process (50% reduction of the set-time)

Horizontal Installation



Vertical Installation



MISSION

Light Building



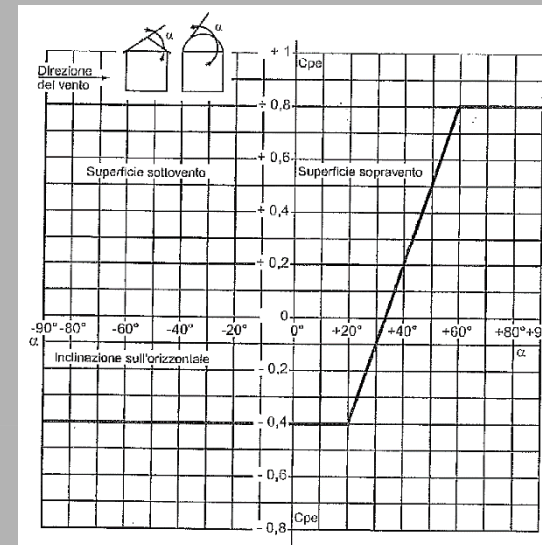
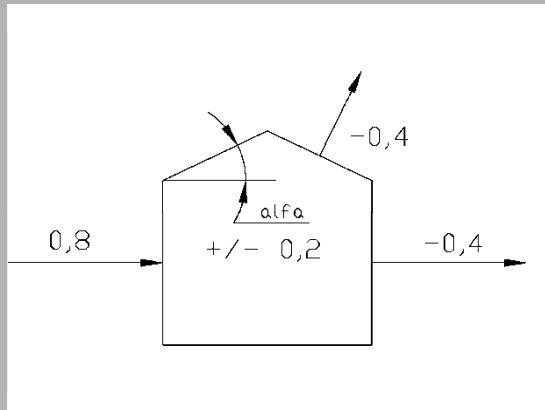
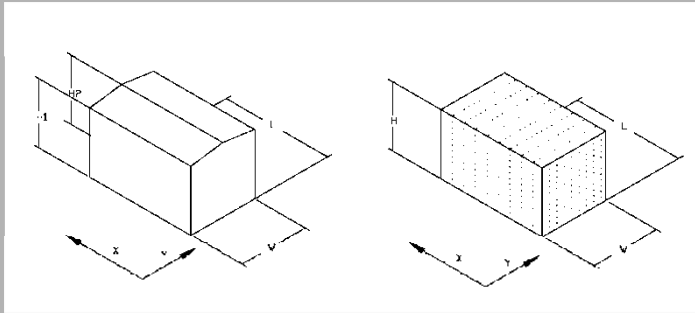
- Labor and Maintenance savings
- Weather conditions resistance



Housing

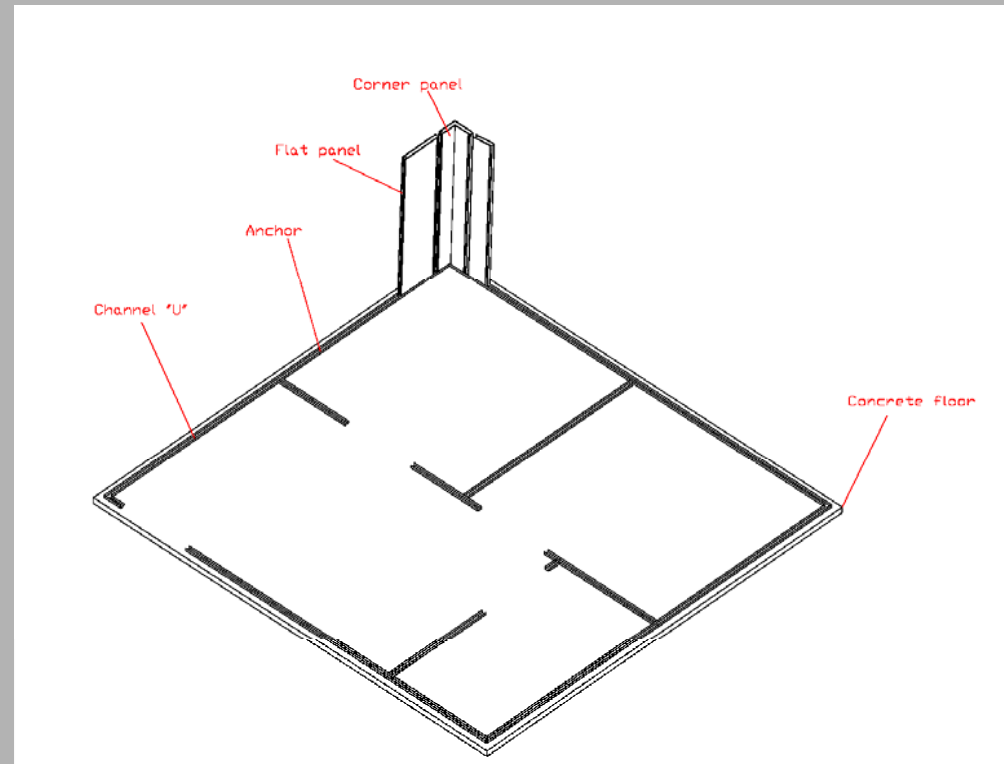
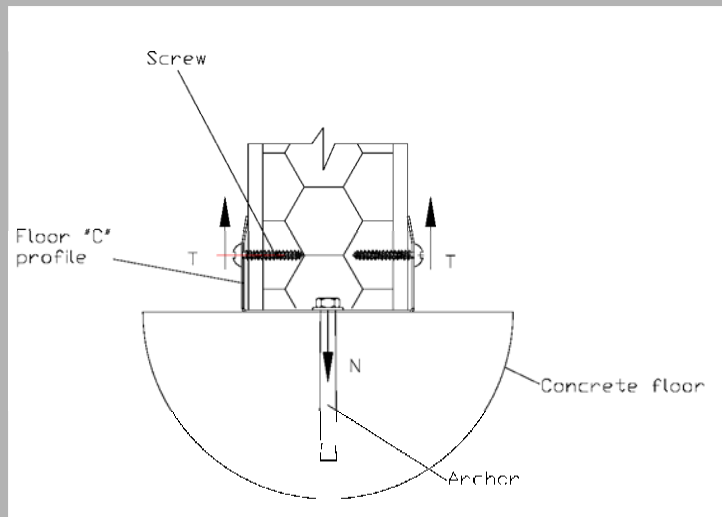


Design - wind load

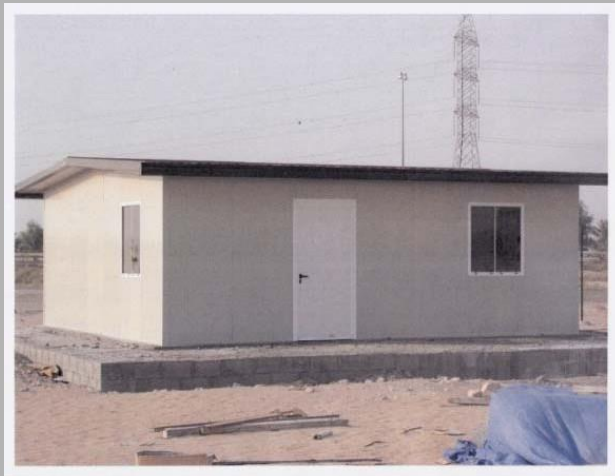




Anchoring detail



Prefabricated housing



Roof for traditional building



Special tile roof



Industrial building



Industrial building



Shopping Center



Farm



Wall panels – horizontal
installation



Stadium



Livestock panels

Poultry and cattle



INTERNAL TPO
MEMBRANE



SPECIAL APPLICATIONS

Container Housing



Container Housing for Army



Panels for Modular Telecom Shelte

